

Jorma K. Miettinen

Radioactive Food Chains in Arctic Regions

Fig. 1. Weekly mean values of artificial aerosol beta-activity in ground level air in southern and northern Finland $\angle 1 \angle$. The annual rainfall in Maarianhamina (20°E , 60°N) is 550 mm, in Ivalo (27.5°E , 68.5°N) 450 mm.

Fig. 2. Picture of the lead shield used in the Finnish mobile whole body counter. The walls and the shielding door of the lead coffin are 4 cms thick, the 5 x 3 in. crystal is protected by 4 cms lead in 3π solid angle. The shield and electronics are installed in a Hanomag Kurier truck. The shield weighs 2 tons.

Fig. 3. Living areas of Finnish Lapps. The results for settled mountain Lapps (=reindeer breeders) and fisher Lapps are presented in Table III.

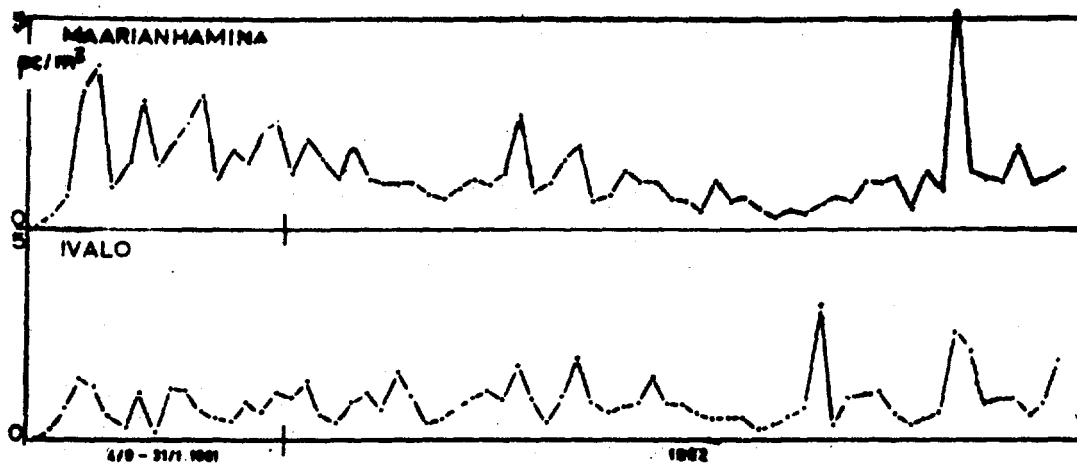


Fig.1

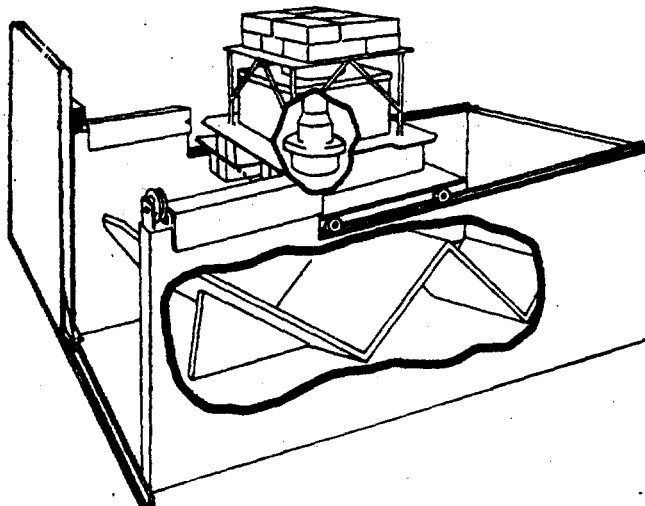


Fig.2

